

IP Over 2 Wire Converter

Model:
LP-2WIP1-S

Type:
IP Ethernet over 2 Wire Transceiver



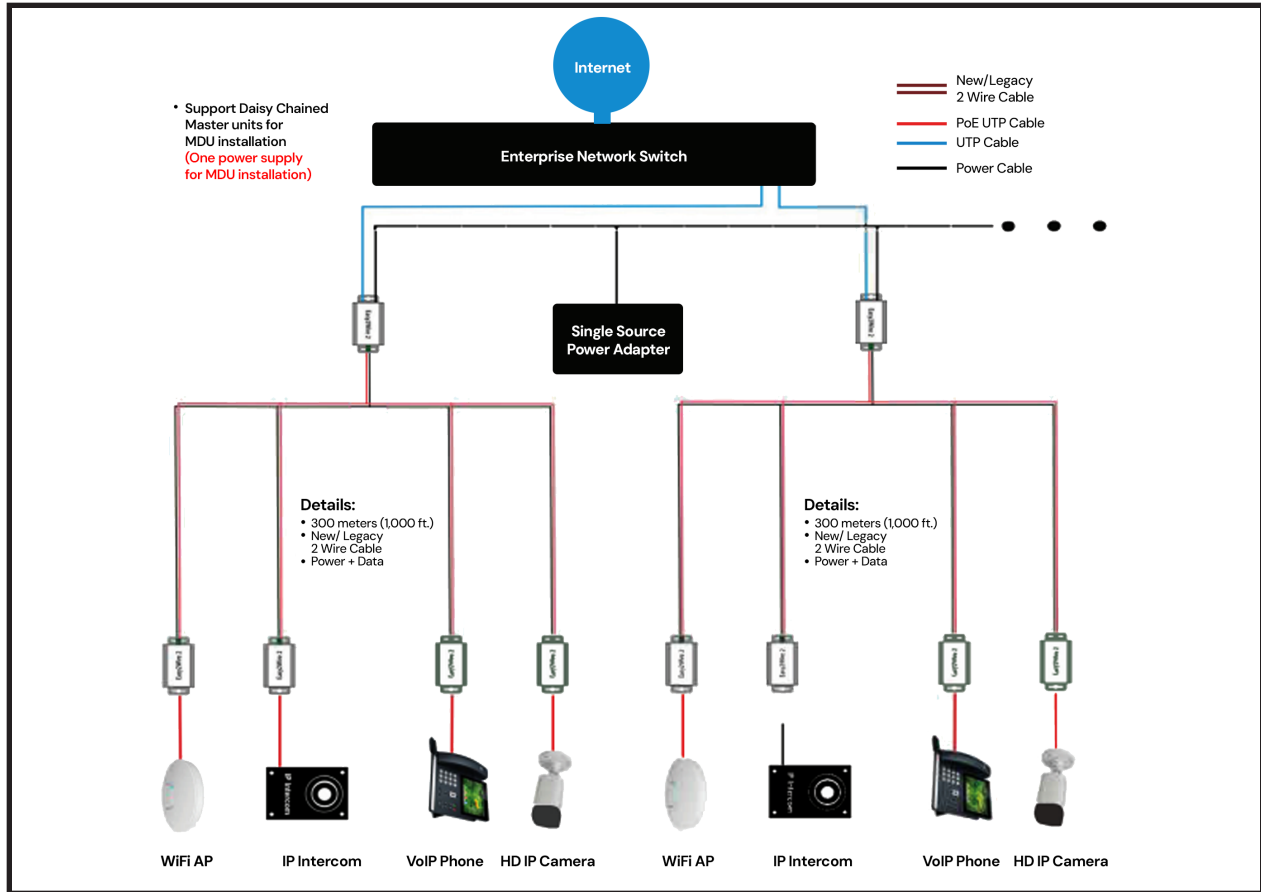
Installation Manual

The LP-2WIP1 -5 is an IP Ethernet over 2 Wire transceiver. It supports up to 200 Mbps data transfer speed for HDAV Devices, IP Networking, Gaming Consoles and IP Surveillance applications. Its powerful data streaming technology transports ultra-high speed HD Entertainment networks in Homes, Residential Buildings and large commercial buildings.

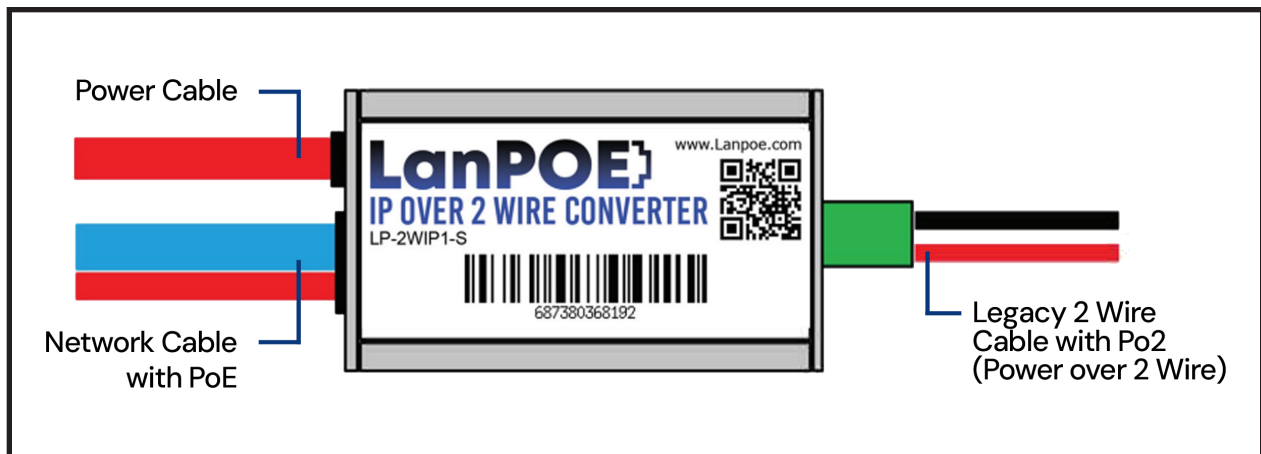
Features

- It supports 1 Master to 4 Slave network topology to reduce installation costs.
- For secure networking, it supports 128bit-AES security encryption.
- Data transfer of up to 1000 feet.
- Suitable for HD applications and devices, such as:
 - AV Device, Network TV, Gaming Console, PC, Notebook, VoiP, etc.
- Suitable in homes, residential buildings and large commercial buildings.

Typical Application



Wiring Connection



LP-2WIP1-S Installation Steps

1. Hardware Check & Preparation

- Please check the product physical defects. If you find any defects, do not use the product and return to distributor.
- Prepare:
 1. Network cables for the device.
 2. New or Existing 2 Wire cables.
(Please check the cable Spec. and connection status)
 3. AC/DC Adapter for power supply.
 4. Safety Pin for Un-joining and Joining Process (Optional)

2. Product Installation

- Use one LP-2WIP1 -S transceiver at each end of the 2 Wire cable.
- Connect the UTP network cable to each side of the IP devices for operation of the entire network system.
(IP devices such as: AV Device, Network TV, Gaming Console, PC, Notebook, VoiP etc.)
- Connect an AC/DC Adapter into one of the transceivers to provide power to entire system.
- All transceivers are in Join Mode.
- They will find each other and establish a basic level encrypted communication.

Un-joining and joining transceivers for encrypted communication (Optional)

1. Un-Joining mode to build an enhanced encrypted network

- Do this by applying power, and pressing the small push-button (Grp) for about 12 seconds until the TWP and PoE LEDs illuminate and then go out (one second).
- The transceiver is now ready to be joined to build an encrypted Network Group.

2. Join Mode

- For more transceivers in an enhanced encrypted network:
 1. Disconnect the joined transceiver from the grouped 2 Wire cable.
 2. Connect the new un-joined transceiver.

- On the new un-joined transceiver:
 1. On the new un-joined transceiver, momentarily depress (two seconds) the small push-button (Grp) using the straightened paper clip.
 2. The PoE LED will blink.
 3. Depress the small push-button (Grp) on any transceiver within existing encrypted Network Group.
 4. Both transceivers are now in Joining mode.
- They will find each other and establish an encrypted communication.
- In about 10 seconds, the TWP LEDs on both transceivers will continuously blink, indicating a successful Join.

3. Adding Transceivers (if required)

- Disconnect one of the transceivers and replace it with a new un-joined transceiver.
- Repeat **Step 2** to add additional transceivers to the same Network Group.

Power over Ethernet (PoE) Function

- Supports IEEE 802.3 af/at PoE.
- Supports 40 Watt local PoE for PoE Powered Devices. (IP Intercom, IP Camera, VoiP, Wi-Fi AP etc.)
- For PoE Powered Device function support, please use 48-56V 0.83A Adapter.

LP-2WIP1-S Installation Warnings

- Do not use the transceiver in extreme temperatures or conditions.
- If the transceiver is flooded by water or other liquids, please turn off the power source and disconnect all of cables from transceiver and do not use.
- Do not use transceiver in temperatures over 122°F (50°C) for optimal performance and extended lifetime.
- Do not disassemble transceiver.

Have a question?

For troubleshooting LanPoE Smart Networking Products, please reach out to our support team and provide detailed information for assistance.

Phone:
877-725-8869

Email:
sales@lanpoe.com